



Agency Approvals:

AccuTrak™ - Without Eliminator Conduit Option - Class I, Groups A, B, C & D; Class II, Groups E, F & G

Quantum - Class I, Division 1, Groups C & D
Class II, Division 1, Groups E, F & G

With Eliminator Conduit Option - Class I, Groups C & D; Class II, Groups F & G

Type 4, 4X Enclosures (NEMA 4, 4X)

Product Overview

Quantum rotary position control monitors provide on/off valve position control and monitoring with a variety of switch/sensor options. AccuTrak™ models, for monitoring only, are specified without solenoid valve or coil options.

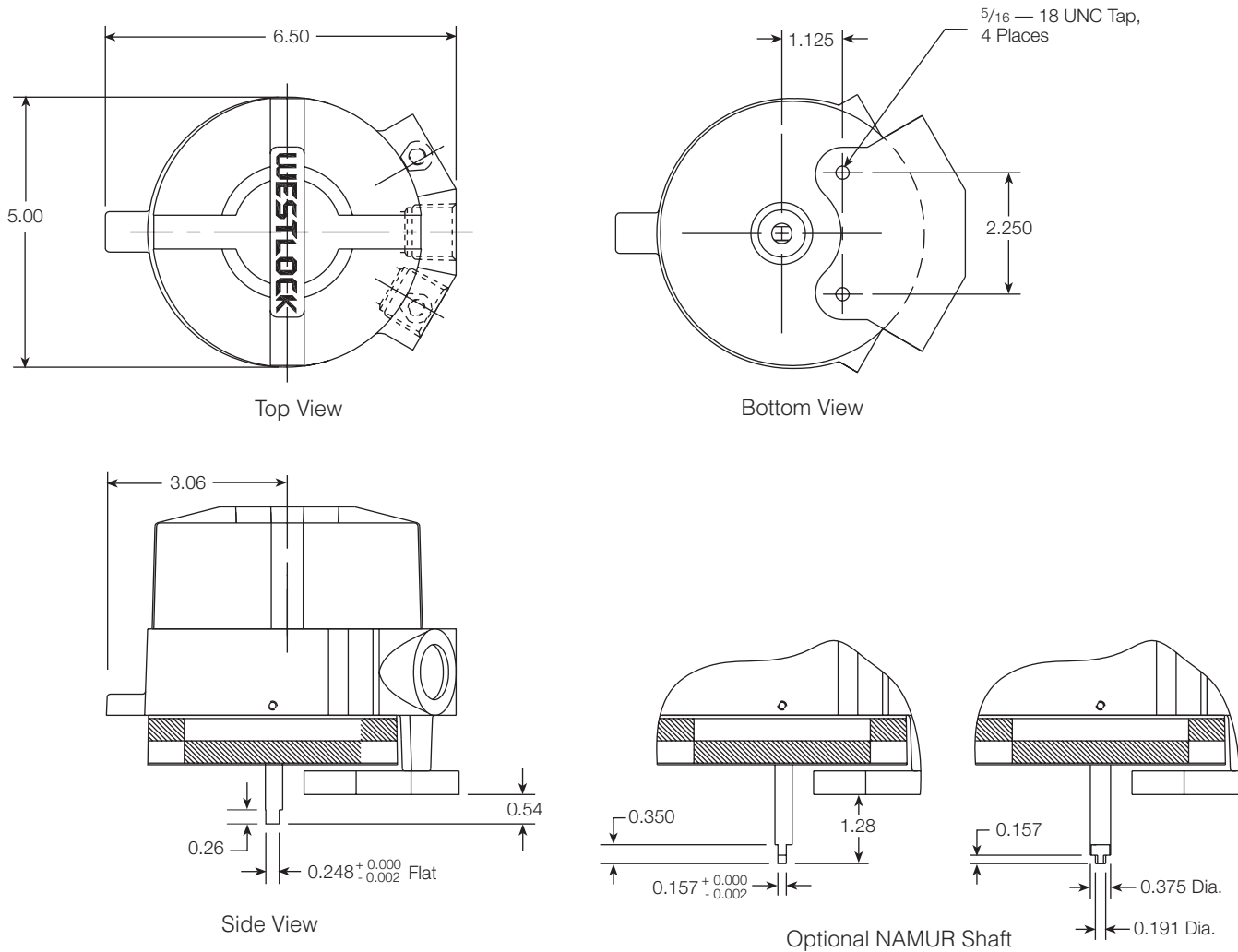
366 – Rugged 316 stainless steel enclosure with electropolish finish

Features and Benefits

- The Westlock™ Beacon is manufactured from a high impact strength and corrosion resistant co-polyester which offers 360 degrees instant visual recognition of valve position from up to 150 feet away.
- Touch set cams are hand adjustable, spring loaded and self-locking, providing quick calibration of position sensors.
- Terminal strips are pre-wired and color coded with generous working space for ease of use and extra wiring points for solenoid integration.
- All units are standard with multiple conduits for easy field wiring and accessory mounting.
- All AccuTrak™ and Quantum products utilize a standard bolt pattern for mounting to NAMUR actuators with common bracket kits.
- Global certifications available.



Dimensions AccuTrak 366



Technical Specifications

Materials of Construction

Enclosure: 316 Stainless steel
 Shaft and hardware: Stainless steel
 Beacon visual indicator: Co-polyester
 Bushing: Oil impregnated bronze

Options

4-20 mA position transmitter

For transmitter specifications
 see reference section

Available Switches

- V3 mechanical switches, SPDT
- DPDT (Form CC) mechanical switches
- Magnum, SPDT hermetically sealed switches with Tungsten contacts
- Magnum, SPDT hermetically sealed switches with Rhodium contacts

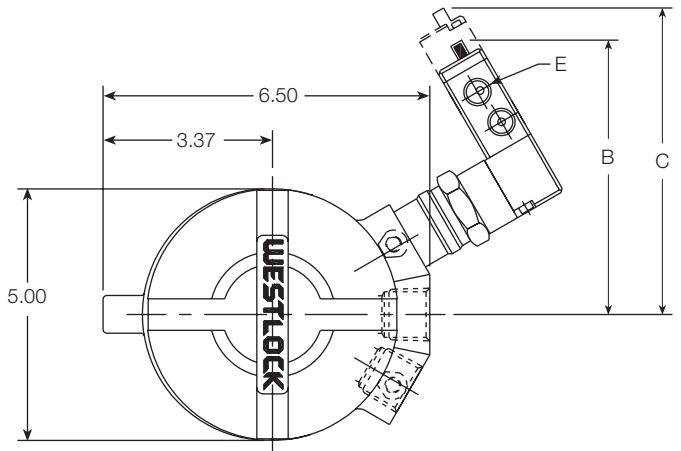
For switch electrical ratings
 see reference section

Important Application Notes: For very low power sensing applications, Power ≤ 240 mW (24 VDC @10 mA for example) Magnum sensors with Rhodium contacts, M12 (SPDT), MUST be used.

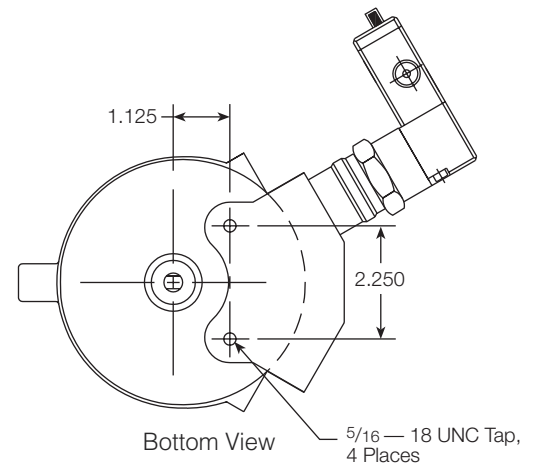
Magnum and Sensors Only PLC input modules utilize capacitors to filter out electrical noise. Newer, more sensitive designs have higher input impedances and lower operating currents and thus require higher values of capacitance for filtration.

If the DI card Capacitance ≥ 0.01 μF a resistor of appropriate size MUST be used in series with the switch contacts to prevent the capacitive discharge from damaging the switch contacts. As an alternative, specify the MagPAC. Please contact your sales representative for resistor sizing, capacitance measurement procedure and other required information.

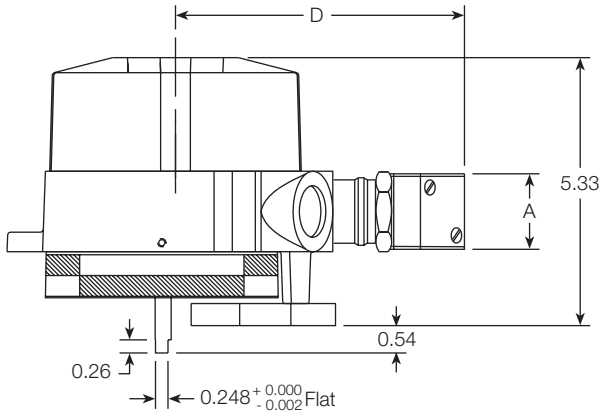
Dimensions Quantum 366



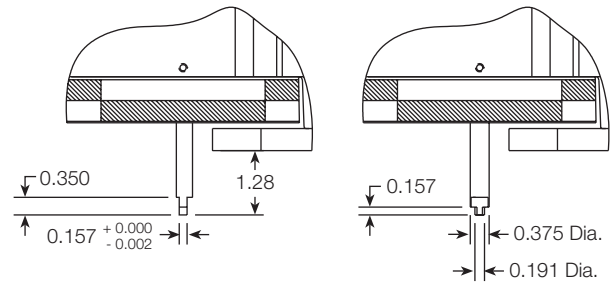
Top View



Bottom View — 5/16 — 18 UNC Tap, 4 Places



Side View



Optional NAMUR Shaft

Dimensions

	A	B (3-way)	C (4-way)	D	E
0.5 C _v	1.50	5.46	6.10	6.02	1/4 NPT (F)
1.2 C _v	2.00	6.62	7.42	6.35	1/4 NPT (F)
3.5 C _v	2.75	7.30	8.41	6.80	1/2 NPT (F)

Ordering Guide

Base Model

366- 316 Stainless Steel Enclosure

Shaft Output

- S Standard (Double-D with 1/4" Flats)
- N NAMUR

Beacon

- BY BM2-Y (Standard)
- RG BM2-RG

Conduit

- 1B One 3/4" NPT (F) (available for Quantum only)
- 2B Two 3/4" NPT (F)

Position Switches

- 2M02 Two SPDT Mechanical Switches - 10 pt. TS
- 2M04 Two DPDT Mechanical Switches - 14 pt. TS
- 2M06 Two SPDT Magnum Switches - 10 pt. TS
- 2M12 Two SPDT Magnum Switches with Rhodium contacts - 10 pt. TS

Analog Position Transmitter (available for AccuTrak only)

- 00 Not Available
- CS 4-20 mA Position Transmitter - 12 pt. TS w/2 SPDT option and 16 pt. TS w/2 DPDT option

Coil Voltage (**omit if control valve is not needed)

- X 24 VDC (XP Coil)
- Y 120 VAC (XP Coil)

Falcon Valve Body (**omit if control valve is not needed)

22	0.5 C _v , 3-Way, Brass	53	1.2 C _v , 3-Way, 316 SS	27	1.2 C _v , 4-Way, Brass
32	0.5 C _v , 3-Way, Aluminum	34	3.5 C _v , 3-Way, Aluminum	37	1.2 C _v , 4-Way, Aluminum
42	0.5 C _v , 3-Way, 303 SS	54	3.5 C _v , 3-Way, 316 SS***	47	1.2 C _v , 4-Way, 303 SS
52	0.5 C _v , 3-Way, 316 SS	26	0.5 C _v , 4-Way, Brass	57	1.2 C _v , 4-Way, 316 SS
23	1.2 C _v , 3-Way, Brass	36	0.5 C _v , 4-Way, Aluminum	38	3.5 C _v , 4-Way, Aluminum
33	1.2 C _v , 3-Way, Aluminum	46	0.5 C _v , 4-Way, 303 SS	58	3.5 C _v , 4-Way, 316 SS***
43	1.2 C _v , 3-Way, 303 SS	56	0.5 C _v , 4-Way, 316 SS		

Special Valve Features (**omit if control valve is not needed)

- 0 None
- V Non-venting (available in 1.2 C_v only)
- I Non-venting, No Indicator (available in 1.2 C_v only)

Override Option (**omit if control valve is not needed)

- 0 None
- M Momentary**
- L Locking**
- R No-voltage Release, Non-latching (available in 1.2 C_v only)
- N No-voltage Release, Latching (available in 1.2 C_v only)
- E External Pilot**

366- N BY 1B 2M06 00 X 53 0 0 = Model Number **366-NBY1B2M0600X5300**

** Override Options M, L, E are not available with option "54" and "58"
Falcon valve bodies. These options are available in 303 SS.

*** 5400 valves are 5800 valves with ports 2 and 3 plugged for 3-way functionality.

Position switch application note:
For 24 VDC service below 1 watt, M12 (Rhodium Magnum switches) is recommended.
For 24 VDC service above 1 watt, M06 (Tungsten Magnum switches) is recommended.

USA/Canada: Saddle Brook, NJ

Ph: 201-794-7650

Dedicated Order Fax: 201-794-4790

General Fax: 201-794-0913

www.westlockcontrols.com

Europe/Asia: Kent, England

Ph: + 44 189 251 6277

Fax: + 44 189 251 6279

www.westlockuk.com

South America: Barueri, Sao Paulo

Ph: + 55 11 2588 1400

Fax: + 55 11 2588 1410

www.westlock.com.br

Tyco Flow Control (TFC) provides the information herein in good faith but makes no representation as to its comprehensiveness or accuracy. This data sheet is intended only as a guide to TFC products and services. Individuals using this data sheet must exercise their independent judgment in evaluating product selection and determining product appropriateness for their particular purpose and system requirements. TFC MAKES NO REPRESENTATIONS OR WARRANTIES, EITHER EXPRESS OR IMPLIED, INCLUDING WITHOUT LIMITATION ANY WARRANTIES OF MERCHANTABILITY OR FITNESS FOR A PARTICULAR PURPOSE WITH RESPECT TO THE INFORMATION SET FORTH HEREIN OR THE PRODUCT(S) TO WHICH THE INFORMATION REFERS. ACCORDINGLY, TFC WILL NOT BE RESPONSIBLE FOR DAMAGES (OF ANY KIND OR NATURE, INCLUDING INCIDENTAL, DIRECT, INDIRECT, OR CONSEQUENTIAL DAMAGES) RESULTING FROM THE USE OF OR RELIANCE UPON THIS INFORMATION. Patents and Patents Pending in the U.S. and foreign countries. Tyco reserves the right to change product designs and specifications without notice. All registered trademarks are the property of their respective owners. Printed in the USA.